

# Standard Package

www.fiberfox.co.kr

# Mini 12R

The Smallest Ribbon Splicer



- 1 MINI 12R Splicer    4 Power Cord    7 Car Cigar Cable    10 SOC Heater Block    13 Shoulder Strap    16 Hot Jacket Stripper
- 2 Cleaver Softcase    5 USB Cable    8 Cooling Tray    11 SOC Holder    14 User Manual CD    17 A/C Adapter for Stripper
- 3 MINI 50GB Cleaver    6 AC Adapter    9 Spare Electrode    12 2 Battery Packs    15 Hand Carrying Case

|   |
|---|
| Optical Fiber Fusion Splicer Mini12R                    |
| AC Adapter, Ac Power Cord, Spare Electrodes(1 Pair)     |
| Battery Pack, Cleaver Mini50GB, Connector Holder        |
| Connector Heater Block, DC Power Cord, USB Cable        |
| User Manual, Protection Sleeves(100 Nos.), Cooling Tray |
| Hard Carrying Case, Shoulder Strap, Hot Jacket Stripper |
| FH-250, FH-900, FH-2, FH-4, FH-6, FH-8 and FH-12        |



# Specifications

|                                   |  |
|-----------------------------------|--|
| Applicable Fibers                 | SMF(G.652/657), MMF(G.651), DSF(G.653), NZDSF(G.655)   |
| Fiber Count                       | Single to 12 Ribbon Fibre  |
| Cladding dia./Sheath dia.         | Single : 125 / 160 to 3mm by Fiber Holder System<br>Ribbon : 125 / Ribbon Fibre Thickness 0.25 to 0.4mm                              |
| Cleave Length                     | 10-13mm  |
| Splice Mode/Heating Mode          | 70+ Splice Modes / 30 Heating Modes  |
| Typical Splice Loss               | 0.05dB(SM), 0.02dB(MM), 0.08dB(DS), 0.08dB(NZDS) and 0.05dB(G.657)<br>Measured by cut - back method relevant ITU-T and IEC standards |
| Splice Time/Tube Heating Time     | Typical 18 Sec/ Typical 25 Sec   |
| Splice Result                     | Last 5,000 Splices   |
| Viewing Methods/Magnification     | 2 Axis CMOS Camera with 4.3" Colour LCD / 33X and 60X Magnification  |
| Applicable Protection Sleeve      | 60MM, 40MM   |
| No. of splice/Heating Per Battery | Typical 110 cycles / single battery <2 Batteries Standard>   |
| Electrode life                    | 3,000 splices  |
| LCD Screen                        | 4.3" Colour Super Clear Touch Screen with Temper Proof Glass   |
| Optical System                    | No Mirror Type (LED*2)   |
| Illumination                      | RED LED*2  |
| Size/Weight                       | 122 X 124 X 138 / 1.39kg without Battery   |
| Operating Environment             | Elevation 0 to 5000 meters, -10°C to 50°C , 0 to 95% Humidity  |
| Storage Condition                 | Temperature -20 to 60°C , 0 ~95% Relative humidity, Battery -20~40°C   |
| Pull Test                         | 1.96 to 2.25N (Standard)   |
| Terminals                         | USB 2.0 (Mini-B Type) Connector for PC Communication   |

# The Smallest Ribbon Splicer

1.39  
kg

220  
cycles

18  
sec

0.05  
dB

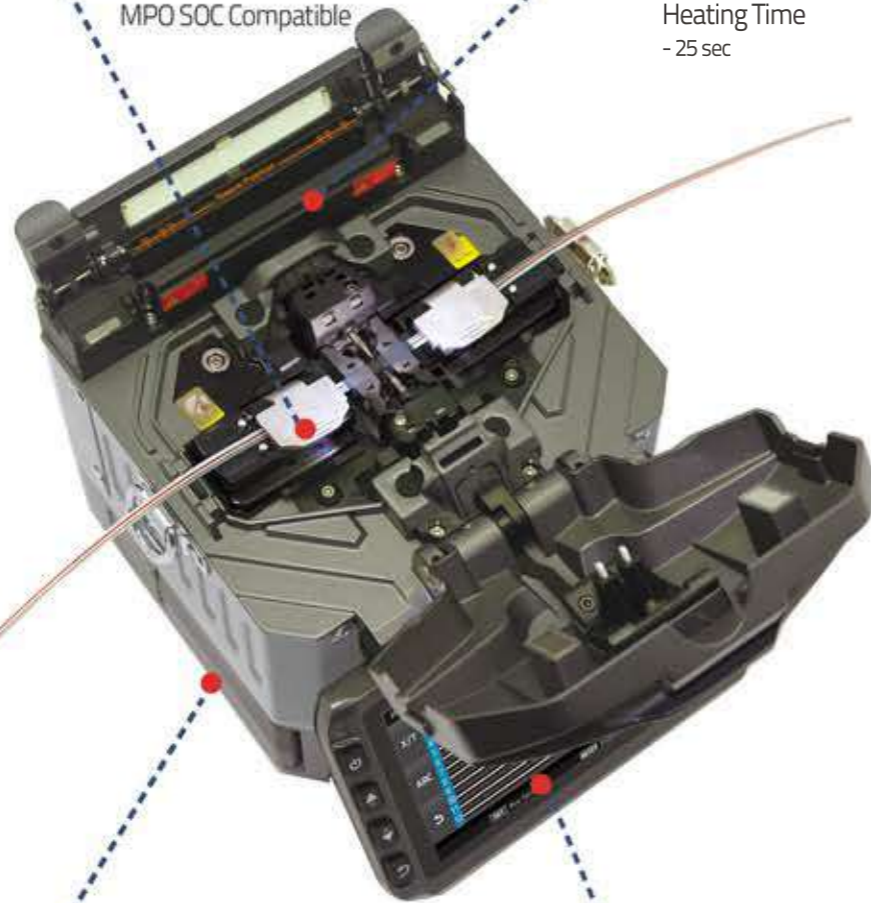
# Characteristic



MPO SOC Compatible



Heating Time  
- 25 sec



# Mini 12R

1.39kg  
(Without Battery)  
122 x 124 x 138 mm



Two Batteries are Included in Standard Package  
- 220 cycles (splicing & heating) with Two Batteries

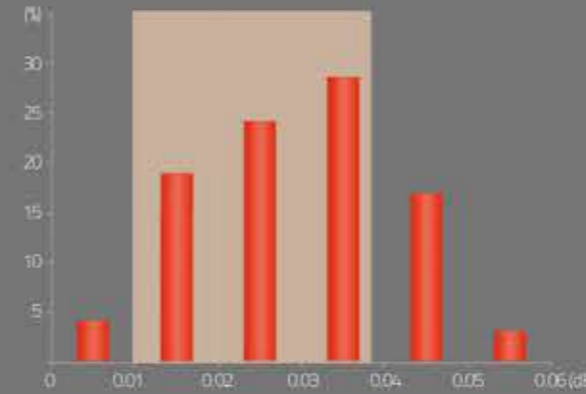


Full Touch Screen  
- GUI Interface  
- Tempered Glass

## 01

### Performance

Guaranteed Stability and Splicing Performance



0.01 ~ 0.04dB : 80 (%)

## 02

### The Fastest Splicing Time



**18sec**  
with 12 fiber

## 03

### Durability

1meter



Anti-shock



Dustproof

Waterproof



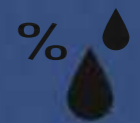
## 04

### Reliability

Perfect performance under any environmental conditions



Temperature  
-15~60°C



Relative humidity  
0~95%



Elevation  
0~5000meter



The max wind speed  
15m/s

Compliant with IEC Standard