

DS CODE:

200104

LS Simple™ Cabling Solution

LS-MJ-UC6A-xx-ERI

1. IDC Cap
2. Jack Housing



Description

- User instructions and basic wiring layout for standard configuration are included
- 180 degree slim Modular Jack
- Designed and manufactured to meet demanding of international standards
- Individually terminated using slim-IDC(Insulation Displacement Connectors)
- T568A or T568B configuration
- 47 CFR part 68(RJ-45), ANSI/TIA-568-C.2(Category 6A), ISO/IEC 11801 and EN50173 compliant
- High impact flame retardant plastic housing
- Easy installation & smart cabling arrangement by wiring cap
- RoHS compliant

Application

- Horizontal Distribution & Backbone Cabling
- 4/16 Mbps Token Ring (IEEE 802.5)
- 10/100/1000 BASE-T (IEEE 802.3)
- ATM 155.52 Mbps
- 10GBAST-T(IEEE 802.3)
- 100Mbps TP-PMD
- ISDN, ADSL
- Analog & digital voice(VoIP) and video
- Full broadband and baseband video

Part Numbers

Description	Dimension (H * W * D, mm)	Part Numbers	Compatible Items
Unshielded Category 6A Modular Jack White color	19.3 * 16.8 * 29.0	LS-MJ-UC6A-WH-ERI	Panel : LS-PP series LS-APP series LS-PPP series
Unshielded Category 6A Modular Jack black color	19.3 * 16.8 * 29.0	LS-MJ-UC6A-BK-ERI	
Unshielded Category 6A Modular Jack blue color	19.3 * 16.8 * 29.0	LS-MJ-UC6A-BL-ERI	Outlet : LS-FP-SA(SF)(US) series
Unshielded Category 6A Modular Jack red color	19.3 * 16.8 * 29.0	LS-MJ-UC6A-RD-ERI	Tool : LS-EZT-TOOL-ER

DS CODE:

200104

LS Simple™ Cabling Solution

LS-MJ-UC6A-xx-ERI

➤ Technical Details

Item	Unit	Information
FEATURE		
Approvals		UL Listed
Category		ANSI/TIA-568-C.2 Category 6A , 500MHz
Meet		47 CFR part 68
Wiring scheme		T568A/T568B
ELECTRICAL		
Current Rating	Amps	1.5
Insulation Resistance	Mega-ohm	> 500
Contact Resistance	milli-ohm	< 20
DC Resistance	ohm	< 0.1
Dielectric withstand voltage, RMS, contact to contact)	VAC	<1000 @ 60Hz
MECHANICAL		
Insertion Life	Mating Cycles	2,000
Re-termination	No. of Crimping	200
Pull Force	lbs(N)	20(89)
Temperature	℃	-40 ~ 68
Humidity	% (RH)	10 ~ 90
IDC accept	AWG	23~26 (Solid wire)
PHYSICAL		
Housing & Door		ABS+PC, UL 94V-0 rated
Cap		PA11 + Anti-EMI material, UL 94V-0 rated, Black
Contact Bracket		PC, UL 94V-2 rated, Transparent
IDC Block		PC, UL 94V-2 rated
IDC Terminals		Phosphor Bronze, plated with tin over nickel underplate
Jack Contacts		Phosphor bronze flat wire, plated with 1.27μm (50μin) thick hard gold on contact area over nickel underplate
PCB		FR4, UL 94V-0 rated

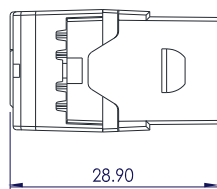
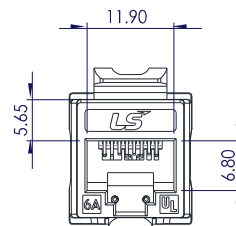
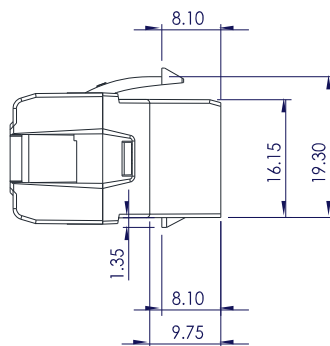
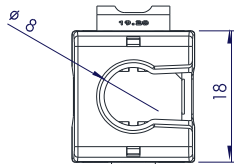
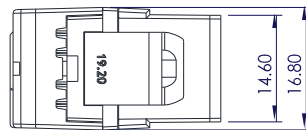
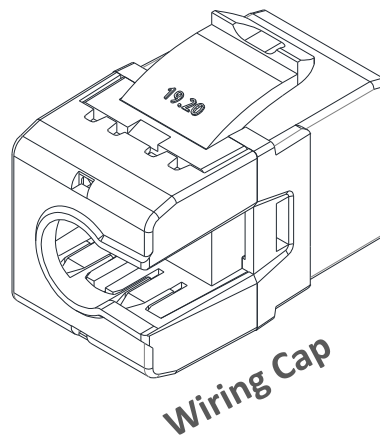
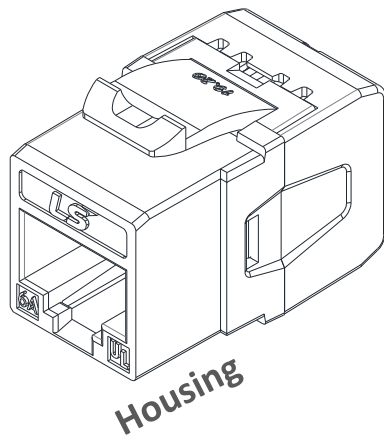
DS CODE:

200104

LS Simple™ Cabling Solution

LS-MJ-UC6A-xx-ERI

 Drawing



DS CODE:

200104

LS Simple™ Cabling Solution

LS-MJ-UC6A-xx-ERI

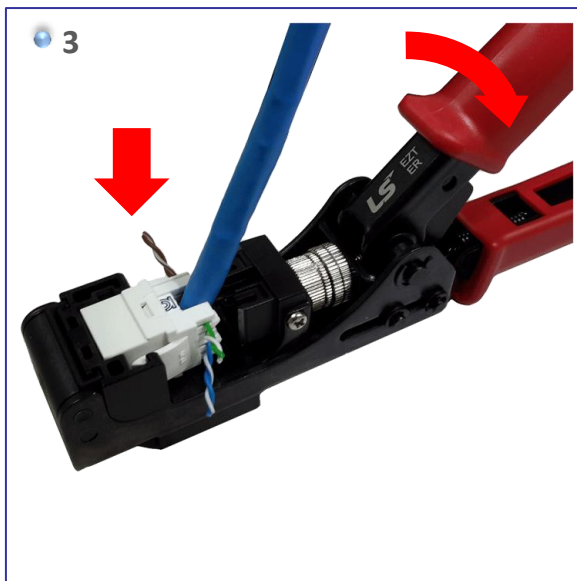
➤ Installation Manual



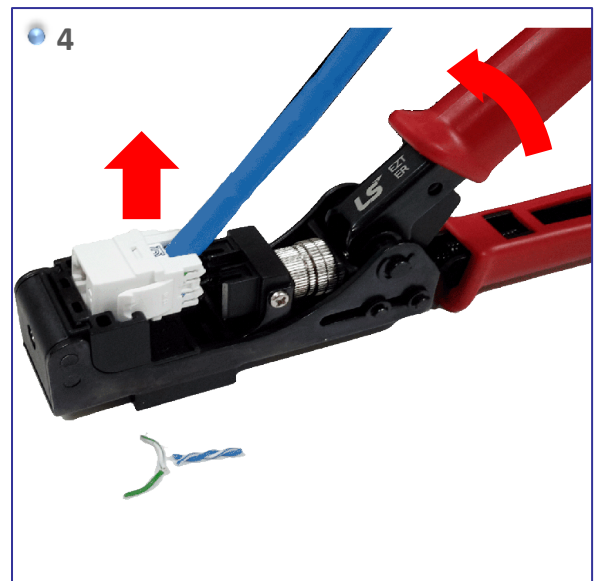
1. Prepare the Easy Termination with ERI Modular Jack.



2. Place the wires into the slots according to the wire scheme.



3. Put the Keystone Jack onto the Easy Tool in the right position and then squeeze the tool then terminate all wires and trim the excess wires at the same time.



4. Remove the Keystone Jack vertically away from the termination tool.